



155M to 2.67Gbps SFP Transceiver SX P/N ASX6P0x-0850 (300m)



Description

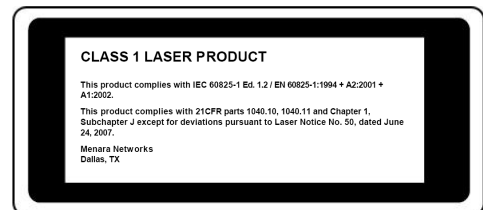
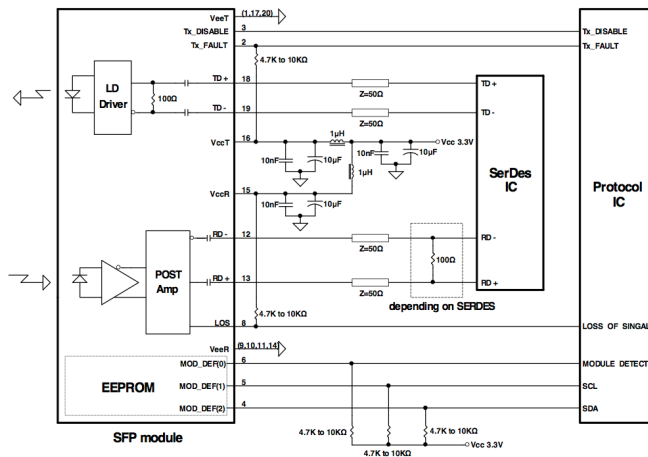
Menara Networks' 155M to 2.67Gb/s SFP is designed for use in OC-3/12/48 SONET, OTU-1 OTN, 1G Ethernet 1000BASE-SX and 1/2G Fibre Channel 850nm links up to 300m over 50/125µm multimode fiber. The use of an 850nm VCSEL transmitter provides a low cost interconnect optic option for SONET/SDH transport, IP routers and Ethernet/Fibre Channel switches. Digital Optical Monitoring interfaces are provided via the SFP SFF-8472 standards compliant I²C interface.

Applications

- 155M to 2.67Gb/s 300m transmission distance over 50/125µm multimode fiber
- SONET/SDH transport, IP router and Ethernet/Fibre Channel switch interconnection

Features

- Hot-pluggable SFP footprint
- 155Mb/s to 2.67Gbps bit rates
- 850nm VCSEL transmitter
- Single 3.3V power supply
- Power dissipation < 1W
- 0°C to +70°C or -40°C to +85°C
- Duplex LC fiber connectors
- IEEE 802.3ae 1000Base-SX
- Full Digital Optical Monitoring
- Metal enclosure for lower EMI
- Complies with RoHS directive (2002/95/EC)
- Compliant with SFP MSA SFF-8472 and SFF-8074
- Laser Class 1 IEC/CDRH compliant
- Links of 300m over 50/125µm multimode fiber (MMF)



Transmitter E-O Characteristics

Parameter	Symbol	Min.	Typ.	Max.	Unit	Note
Support data rate	-	0.155		2.67	Gb/s	
Center Wavelength	λ	830	850	860	nm	
Spectral Width (RMS)	$\Delta\lambda$.85	nm	
Average Optical Output Power	P _o	-10	-	-3	dBm	1
Extinction Ratio	E _r	9			dB	
Optical Rise/Fall Time (20%~80%)	tr/tf			0.16	ns	
Data Input Swing Differential	V _{IN}	400		1800	mV	2
Input Differential Impedance	Z _{IN}	90	100	110	Ω	
TX Disable	Disable	2.0		V _{CC}	V	
	Enable	0		0.8	V	
TX Fault	Fault	2.0		V _{CC}	V	
	Normal	0		0.8	V	

1. The optical power is launched into MMF.
2. PECL input, internally AC-coupled and terminated

Receiver O-E Characteristics

Parameter	Symbol	Min.	Typ.	Max.	Unit	Note
Support data rate	-	0.155	-	2.67	Gb/s	-
Operating Wavelength	λ	770	-	860	nm	
Receiver sensitivity	S _{en}			-18	dBm	3
Saturation	P _{sat}	-3			dBm	3
LOS Assert	LOS _A	-30			dBm	
LOS Deassert	LOS _D			-20	dBm	
LOS Hysteresis		1		4	dB	
Data Output Swing Differential	V _{OUT}	370		1800	mV	4
LOS	High	2.0		V _{CC}		
	Low	0		0.8	V	

3. Measured with a PRBS 2²³-1 test pattern @ 2488Mbps, BER $\leq 1 \times 10^{-12}$
4. Internally AC coupled

Ordering Information

Part Number	ROHS Compliant	Operating Case Temperature
ASX6P0x-0850	ROHS-6	0°C ~ +70°C
ASX6P2x-0850		-40°C ~ +85°C

x = J for Juniper
x = C for Cisco
x = A for Alcatel
x = O for Cisco ONS



menarainfo@menaranet.com

www.menaranet.com