



1.25Gbps SFP Transceiver 1310nm 1000BASE-EX P/N AEX0P0x-1310 (40km)



Description

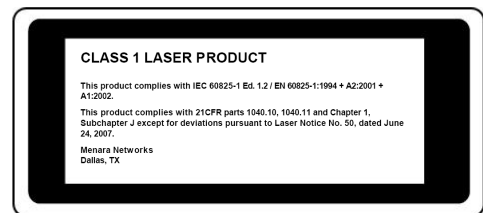
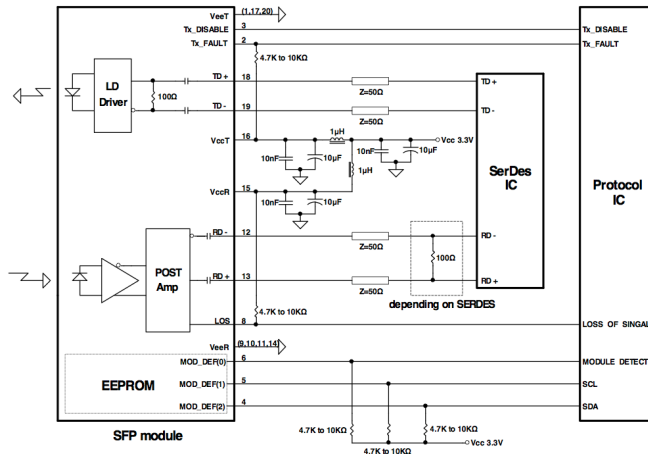
Menara Networks' AEX0P0x-1310 1000Base-EX SFP is designed for use in single channel GbE 1310nm links up to 40km over singlemode fiber. The SFP modules support IEEE 802.3ae 1000BASE-EX applications along with Fiber Channel applications for Ethernet Switches or IP Router optical interfaces. Digital Optical Monitoring interfaces are provided via the SFP SFF-8472 standards compliant I²C interface.

Applications

- 40km GbE or 1G FC switch transmission interconnection
- Short reach, Long distance, and Extended distance single-channel Ethernet Switch or IP Router bandwidth expansion

Features

- Hot-pluggable SFP footprint
- Up to 1.25Gbps bit rates
- 1310nm DFB transmitter
- Single 3.3V power supply
- Power dissipation < 1W
- 0°C to +70°C or -40°C to +85°C
- Duplex LC fiber connectors
- IEEE 802.3ae 1000Base-EX compliant
- Full Digital Optical Monitoring
- Metal enclosure for lower EMI
- Complies with RoHS directive (2002/95/EC)
- Compliant with SFP MSA SFF-8472 and SFF-8074
- Laser Class 1 IEC/CDRH compliant
- Links of 40km over singlemode fiber



Transmitter E-O Characteristics

Parameter	Symbol	Min.	Typ.	Max.	Unit	Note
Support data rate	-	1	1.25	1.35	Gb/s	-
Center Wavelength	λ	1260	1310	1360	nm	
Spectral Width (RMS)	$\Delta\lambda$	-	-	1	nm	
Average Optical Output Power	P _o	-5	-	0	dBm	1
Extinction Ratio	Er	9	-	-	dB	
Output Eye Diagram	Compliant with IEEE 802.3					
Optical Rise/Fall Time (20%~80%)	tr/tf			0.26	ns	
Data Input Swing Differential	V _{IN}	400		1800	mV	2
Input Differential Impedance	Z _{IN}	90	100	110	Ω	
TX Disable	Disable	2.0		V _{CC}	V	
	Enable	0		0.8	V	
TX Fault	Fault	2.0		V _{CC}	V	
	Normal	0		0.8	V	

1. The optical power is launched into SMF.
2. PECL input, internally AC-coupled and terminated

Receiver O-E Characteristics

Parameter	Symbol	Min.	Typ.	Max.	Unit	Note
Support data rate	-	1	1.25	1.35	Gb/s	-
Operating Wavelength	λ	1260	-	1580	nm	3
Receiver sensitivity	S _{en}	-	-	-23	dBm	3
Saturation	P _{sat}	-3	-	-	dBm	
LOS Assert	LOS _A	-35			dBm	
LOS Deassert	LOS _D			-24	dBm	
LOS Hysteresis		1		4	dB	
Data Output Swing Differential	V _{OUT}	400		1800	mV	4
LOS	High	2.0		V _{CC}	V	
	Low	0		0.8	V	

3. Measured with a PRBS 2⁷-1 test pattern @ 1250Mbps, BER $\leq 1 \times 10^{-12}$
4. Internally AC-coupled

Ordering Information

Part Number	ROHS Compliant	Operating Case Temperature
AEX0P0x-1310	ROHS-6	0°C ~ +70°C
AEX0P2x-1310		-40°C ~ +85°C

x = J for Juniper
x = C for Cisco
x = A for Alcatel
x = O for Cisco ONS



menarainfo@menaranet.com

www.menaranet.com